

ML

DESIGN
INVISIBLE
MODERN
STEEL

MAX LIGHT



Max Light DESIGN window

Max Light INVISIBLE window

Max Light MODERN window

Max Light STEEL window

MAX LIGHT

A window and door system with thermal insulation, featuring a slim profile line to ensure the maximum light access.

The specific shape of the Max Light system profiles (resembling steel profiles) gives the structure a modern industrial character.

System application:

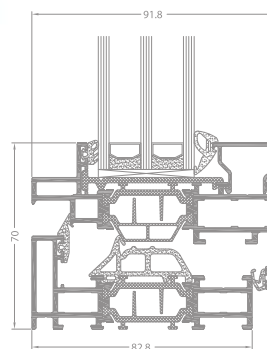
- fixed windows,
- opening windows: single- or double-sash windows with tilting,
- opened inwards.

Balcony doors inward and outward opening solution is available (threshold options).

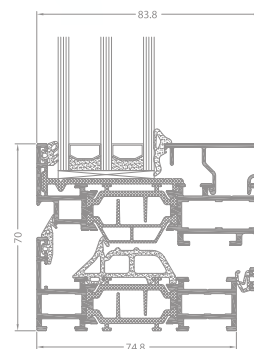
The Max Light system meets the requirements for the burglary resistance class RC2 for compliance with EN 1627.

Available system options: Max Light DESIGN, Max Light INVISIBLE, Max Light MODERN, Max Light STEEL; Max Light – these are a group of systems standing out on the market by their unique design, dedicated to modern architectural designs.

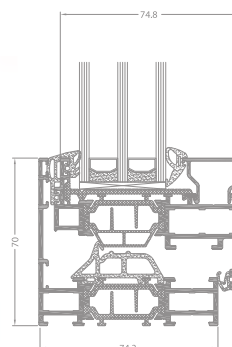
Wide range of colours – RAL palette (Qualicoat 1518), texture colours, Aliplast Wood Colour Effect (wood-like colours), Aliplast Loft View – colours imitating stone surfaces (Qualideco PL-0001), anodized colour (Qualanod 1808), bi-colour.



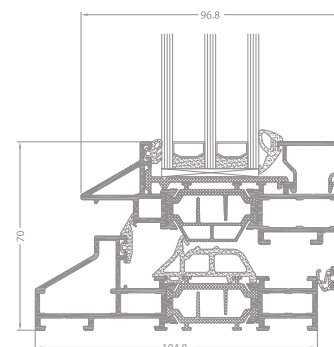
ML DESIGN window section



ML MODERN window section



ML INVISIBLE window section



ML STEEL door section

TECHNICAL SPECIFICATION

SYSTEM	Max Light DESIGN	Max Light INVISIBLE	Max Light MODERN	Max Light STEEL
MATERIAL	aluminium / polyamid	aluminium / polyamid	aluminium / polyamid	aluminium / polyamid
MINIMUM VISIBLE WIDTH INWARD OPENING WINDOW	frame: 35 mm sash: 35 mm	frame (hidden sash) 70 mm	frame: 35 mm sash: 35 mm	frame: 35 mm sash: 35 mm
MINIMUM VISIBLE WIDTH INWARD OPENING DOOR	frame: 35 mm sash: 68 mm	_____	frame: 35 mm sash: 68 mm	frame: 35 mm sash: 68 mm
MINIUM VISIBLE WIDTH OUTWARD OPENING DOOR	frame: 15 mm sash: 88 mm	_____	frame: 15 mm sash: 88 mm	frame: 15 mm sash: 88 mm
INSTALLATION DEPTH FRAME	83 mm	75 mm	75 mm	105 mm
INSTALLATION DEPTH SASH	92 mm	84 mm	84 mm	97 mm
REBATE HEIGHT	15 mm	15 mm	15 mm	15 mm
GLASS THICKNESS	up to 59 mm	up to 59 mm	up to 68 mm	up to 59 mm
MAXIMUM WINDOW SIZES	single 1230 x 1480 mm treple 3000 x 2400 mm	single 1230 x 1480 mm treple 3000 x 2400 mm	single 1230 x 1480 mm treple 3000 x 2400 mm	single 1230 x 1480 mm treple 3000 x 2400 mm

PERFORMANCE

SYSTEM	THERMAL INSULATION Uf *	AIR PERMEABILITY	WINDLOAD RESISTANCE	WATERTIGHTNESS
MAX LIGHT	Uf up to 1,8 W/m ² K dependent on the profile combination	Class 4; EN 12207	Class C5; EN 12210	Class E1650; EN 12208

* Thermal insulation is dependent on a combination of profiles and thickness of the filling.