



sun protection systems

Venetian
blind systems


sun fas



Venetian blinds

Venetian blinds are modern and elegant window or door covers for outdoor installation. They provide an excellent barrier against excessive sunlight. They make it possible to adjust the amount of light and heat coming into the room. Alongside their practical qualities, venetian blinds can be an aesthetic building decoration. They feature a simple and modern design and are dedicated to building structures with large window areas or glass façades.

advantages of our solutions

- _ complete absence of visible mounting screws on both the guides and the cover box
- _ easy and quick installation
- _ different variants of guide channels
- _ smooth control of the blinds (opening and closing) in the range of 90° and 180° to ensure comfortable and individual adjustment of the degree of light coming inside
- _ two box options available: extruded and self mounted

offer

- _ available variants of the SunFas venetian blinds: with an extruded box – SunFas EX and with a self mounted box – SunFas S
- _ concealed and adaptive options available
- _ available slats with C-shaped / C80 / and Z-shaped / Z90/

venetian blind SunFas EX

- _ extruded box
- _ slats available in two shapes: C80 and Z90
- _ two types of guides available: N91 and D22
- _ available mounting options: adaptive and concealed
- _ option of using the DK40 partition guide to split the blinds



venetian blind SunFas S

- _ self mounted box
- _ slats available in two shapes: C80 and Z90
- _ N91 guide
- _ available mounting options: adaptive and concealed

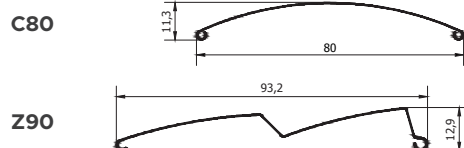


- _ shutter width: min 600 mm – max 4 000 mm
- _ shutter height: max 4 000 mm
- _ standard box height: 220 mm, 270 mm, 320 mm, 350 mm, 400 mm

- _ shutter width: min 600 mm – max 3 500 mm
- _ shutter height: max 3 000 mm

technical data

- _ high-quality aluminium slats
- _ available in two shapes: C80 and Z90



control

- _ wired or radio control
- _ possible interaction with a weather automation system
- _ option of connecting covers to a smart home management system

drive

the venetian blind system can be equipped with an electric drive for free control of the blind and the angle of slat inclination. The drive-equipped shutters move smoothly, the slats position themselves perfectly to modulate the light and control the level of sunlight in the rooms inside the house. Using top-class automation solutions / Somfy and other manufacturers' drives on offer / blinds can be controlled via computer, smartphone or tablet.

structure dimensions

SunFas EX

Type of slat	min. width [mm]	max. width [mm]	max. height [mm]
C80	600	4 000	4 000
Z90	600	4 000	4 000

SunFas S

Type of slat	min. width [mm]	max. width [mm]	max. height [mm]
C80	600	3 500	3 000
Z90	600	3 500	3 000

functionality

Venetian blinds make it possible to control and flexibly adjust the amount of sunlight reaching the building interior. SunFas venetian blind can be raised and lowered and the angle of slats can be changed so that not only the heat input but also the light coming into the to the interior of the building structure can be adjusted by selecting the appropriate degree of shading. The blinds transform the appearance of the façade by adding an interesting and modern touch. They provide a decorative element while raising the standard of the building. The wide range of covers offered, the interesting shape and available colours of the products ensure an aesthetically pleasing appearance, with the possibility of selecting a drive and using a weather automation system to enhance the functionality of the system even more.





available colours of the slats in stock

RAL	7016	7021	8019	9005	9006	9016	7016STR	9004STR
DB	703							



7016

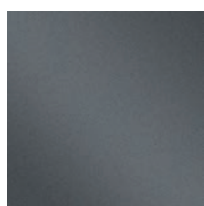
7021

8019

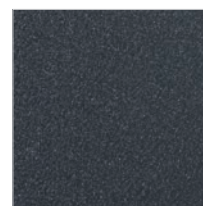
9005

9006

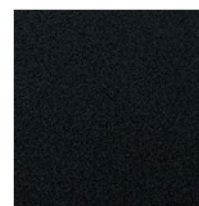
9016



703



7016STR



9004STR

dedicated shutter box and guide colours from the Aliplast palette

RAL	7016i	7021i	8019i	9005i	9006i	9016i	SP7162	9004TC
DB	703T							



sun protection systems

Standard external blind with the **C80** profile

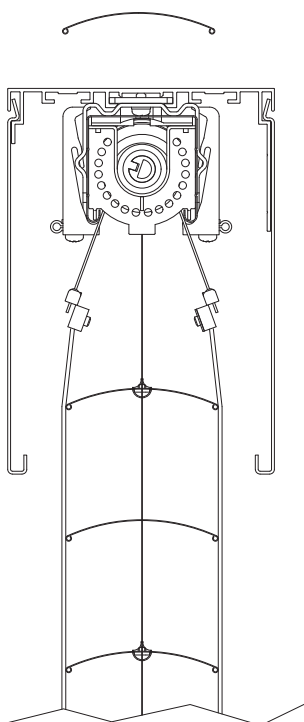
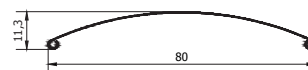
venetian blind C80

- _ the curved C-shaped slat has proven its value with many types of indoor and outdoor shutters: the profile edges folded inwards on both sides provide additional reinforcement to ensure the rigidity and stability of the aluminium slats even with the maximum width of the system
- _ high-quality, weather-resistant powder-coated aluminium slats
- _ maximum C80 slat rotation: 180° / option of greater adjustment of the light coming inside
- _ available box option: self mounted /Sunfas S/ and extruded /Sunfas EX/
- _ concealed and adaptive options available

technical data

- _ C80 slats made of high-quality aluminium
- _ slat shape – C-shaped in the cross-section

C80



C80 system cross-section



flush mounted external
venetian blind C80



adaptive external
venetian blind C80



venetian blind / adaptive /
surface-mounted / C80

Venetian blind – a perfect solution
for demanding customers



sun protection systems

Standard external blind with the **Z90** profile

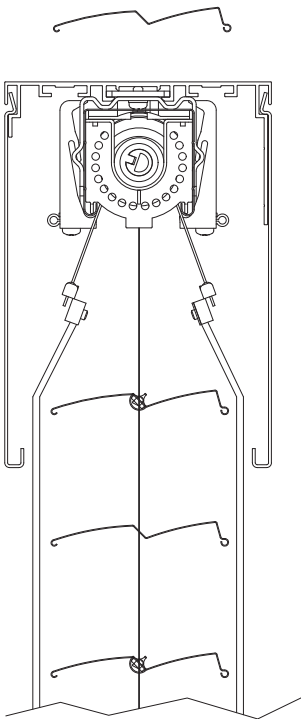
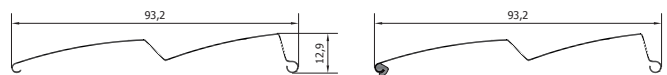
venetian blind Z90

- _ Z-shaped slat designed in such a manner to ensure the maximum shading in the room
- _ compact blind package when rolled up: the shape of the slats provides the lowest possible height of the blind package when rolled up
- _ Z90 slat option with a damping gasket available
- _ high-quality, weather-resistant powder-coated aluminium slats
- _ maximum Z90 slat rotation: 90°
- _ available box option: self mounted /Sunfas S/ and extruded /Sunfas EX/
- _ concealed and adaptive options available

technical data

- 01 _Z90 slat shape
- 02 _Z90 slat equipped with a damping gasket

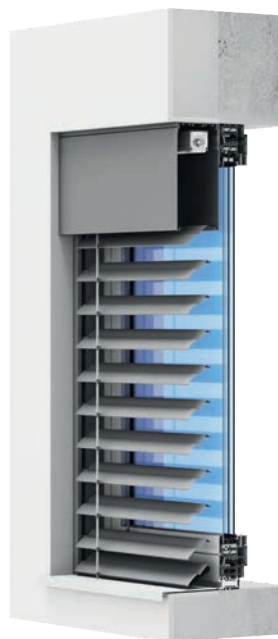
Z90



Z90 system cross-section



flush mounted external
venetian blind Z90

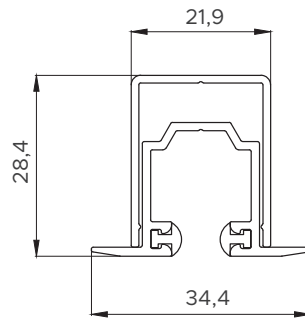
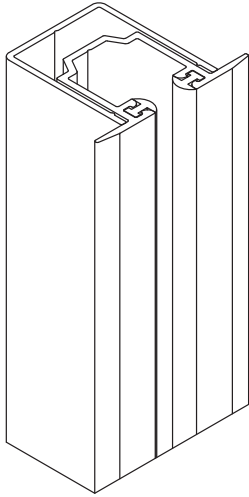


adaptive external
venetian blind Z90

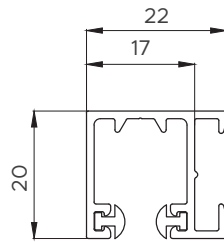
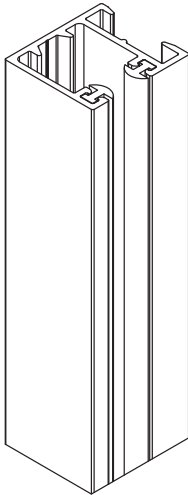


venetian blind / adaptive /
surface-mounted / Z90

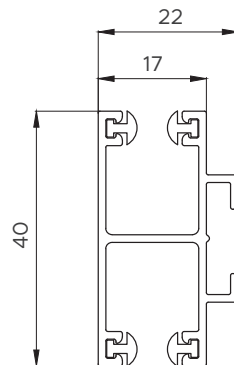
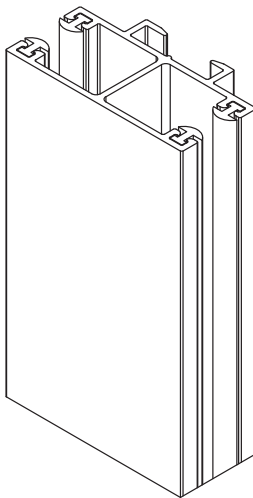
Simple and modern design



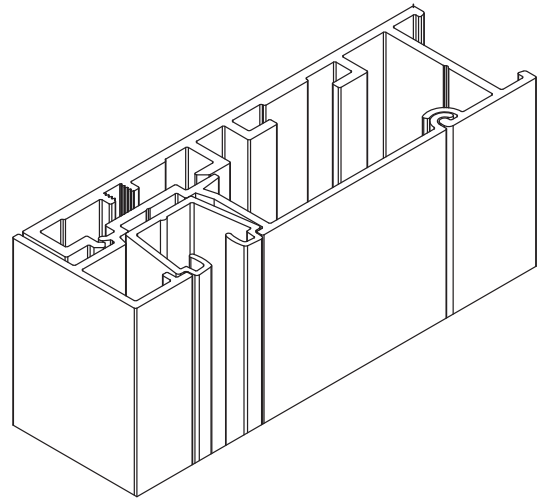
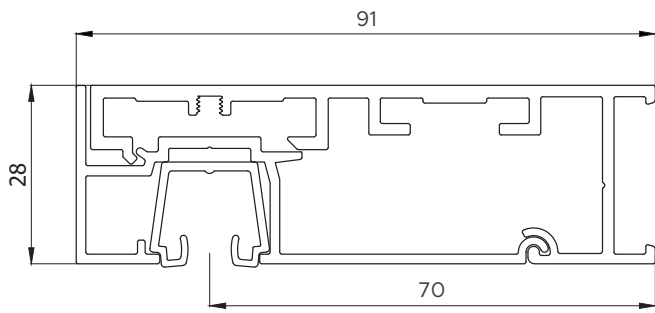
in-wall guide Z34




guide with D22 spacer



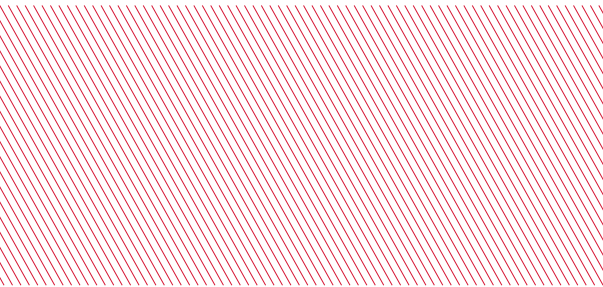
central guide with D40 spacer



 N91 guide



Elegant
and modern design



aliplast
aluminium systems

Aliplast Sp. z o.o.
ul. Wacława Moritza 3
20-276 Lublin, Poland

Contact
e-mail: systemyoslonowe@aliplast.pl

Information
Taxpayer Identification Number (NIP): 946-23-54-607
National Court Register Number (KRS): 000019312
www.aliplastpoland.com
www.sunfas.eu

